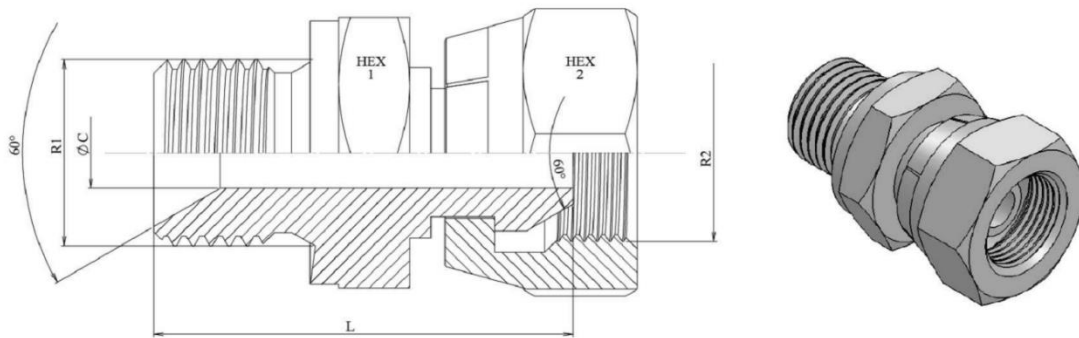


DATA SHEET - TEHNIČNI LIST



	R1	R2	HEX 1	HEX 2	ØC	L	⚖ (Kg)
	1/8" BSP	1/8" BSP	14	14	4	30	0,0213
81138	1/4" BSP	1/4" BSP	19	19	4	29,5	0,045
81139	3/8" BSP	3/8" BSP	22	22	7	33,5	0,067
81140	1/2" BSP	1/2" BSP	27	27	9,5	40,5	0,115
81141	3/4" BSP	3/4" BSP	32	32	15	43,5	0,174
82724	1" BSP	1" BSP	41	41	22,2	52	0,258
82725	1"1/4 BSP	1"1/4 BSP	50	50	26	56	0,554
82726	1"1/2 BSP	1"1/2 BSP	55	55	32	61	0,65
82727	2" BSP	2" BSP	70	70	46	69	1,02

Izdelano iz Ogljikovega Jekla

Made of Carbon Steel

